

Drawing



Tools for Chefs

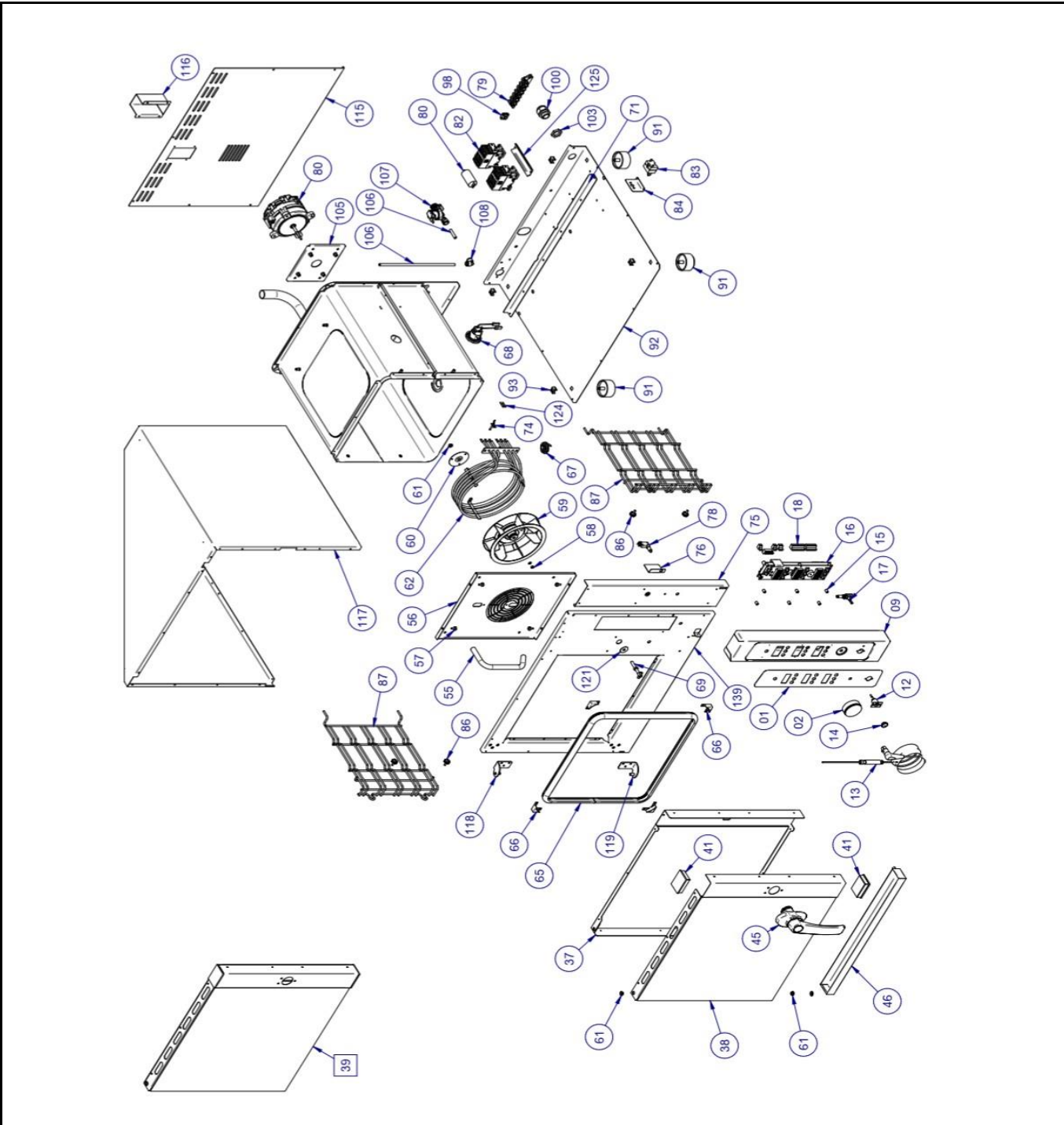
Hendi B.V.
 Steenoven 21
 3911 TX Rhenen
 The Netherlands

Batch #
 190320 and up


Appliance part#
223291

Description
 Convection steam oven digital NANO 5X
 GN2/3

Date	07-01-2020	Revision #	1,0
Revision	First Bill of Materials (BOM)		



Bill of materials (BOM)

 <b style="font-size: 24px; margin-left: 10px;">HENDI Tools for Chefs Hendi B.V. Steenoven 21 3911 TX Rhenen The Netherlands	Batch #	Appliance part#
	190320 and up	223291
	Description	
Convection steam oven digital NANO 5X GN2/3		

Date	07-01-2020	Revision #	1,0
Revision	First Bill of Materials (BOM)		


Item	Description	Part#	Quantity	Remark	Picture
1	Display sticker Hendi	951743	1		
2	Knob	950838	1		
9	Control panel housing	n/a	1		
12	Core probe connector socket	n/a	1		
13	Core probe	950845	1		
14	Core probe connector cover	n/a	1		
15	Plastic stand-off	n/a	6		
16	Control PCB	950852	1		
17	Encoder switch	950869	1		
18	PCB connector (kit)	n/a	2		
37	Inner glass panel complete	951798	1	Also available as item 39	
38	Outer glass panel complete	951804	1	Also available as item 39	
39	Door assembly	951781	1	Without handle, incl item 37,38 and 41	
41	End cap	nss	2	Also available as item 39	
45	Doorhandle	949795	1		
46	Drip tray (housing)	n/a	1		
55	Fan water inlet	n/a	1		
56	Deflector board	n/a	1		
57	Screw	n/a	4		
58	Nut fanblade	n/a	1		
59	Fanblade	949818	1		
60	Fanblade mount	n/a	1		
61	Washer	n/a	1		
62	Heating element 5kW	949825	1		
65	Doorgasket	949832	1	(Length 1800mm)	
66	Doorgasket bracket	n/a	4		
67	Drain cover	n/a	1		
68	Chamber light	949849	1		
69	Door lock pin	n/a	1		
71	Interior support bracket	n/a	1		
74	Temperature probe (chamber)	950876	1		
75	Support bracket	n/a	1		
78	Door switch	949856	1		
79	Terminal	949863	1		
80	Fan motor with capacitor	950883	1	2 Speed motor, capacitor 6.3 uF	
82	Relais	949870	2		
83	Hi-limiter	951286	1		
84	Bracket	n/a	1		
86	Screw for lateral tray support	949894	4		
87	Lateral tray support (5 trays)	951774	2		
91	Feet	951170	4		
92	Housing panel (bottom)	n/a	1		
93	Nut for feet	n/a	4		
98	Equipotential terminal	n/a	1		
100	Pull relief	n/a	1		
102	Nut pull relief	n/a	1		
105	Fan motor support bracket	n/a	1		
106	Water tube	n/a	1		
107	Single watervalue 1-way	951217	1		
108	Water tube connector (knee)	n/a	2		
115	Housing panel (back)	n/a	1		
116	Chimney cover	n/a	1		
117	Housing panel (top)	n/a	1		
118	Door hinge (top)	951750	1		

119	Door hinge (bottom)	951767	1		
121	Washer	n/a	1		
124	Temperature probe gasket	nss	1	Available as 950876	
125	Relais bracket	n/a	1		

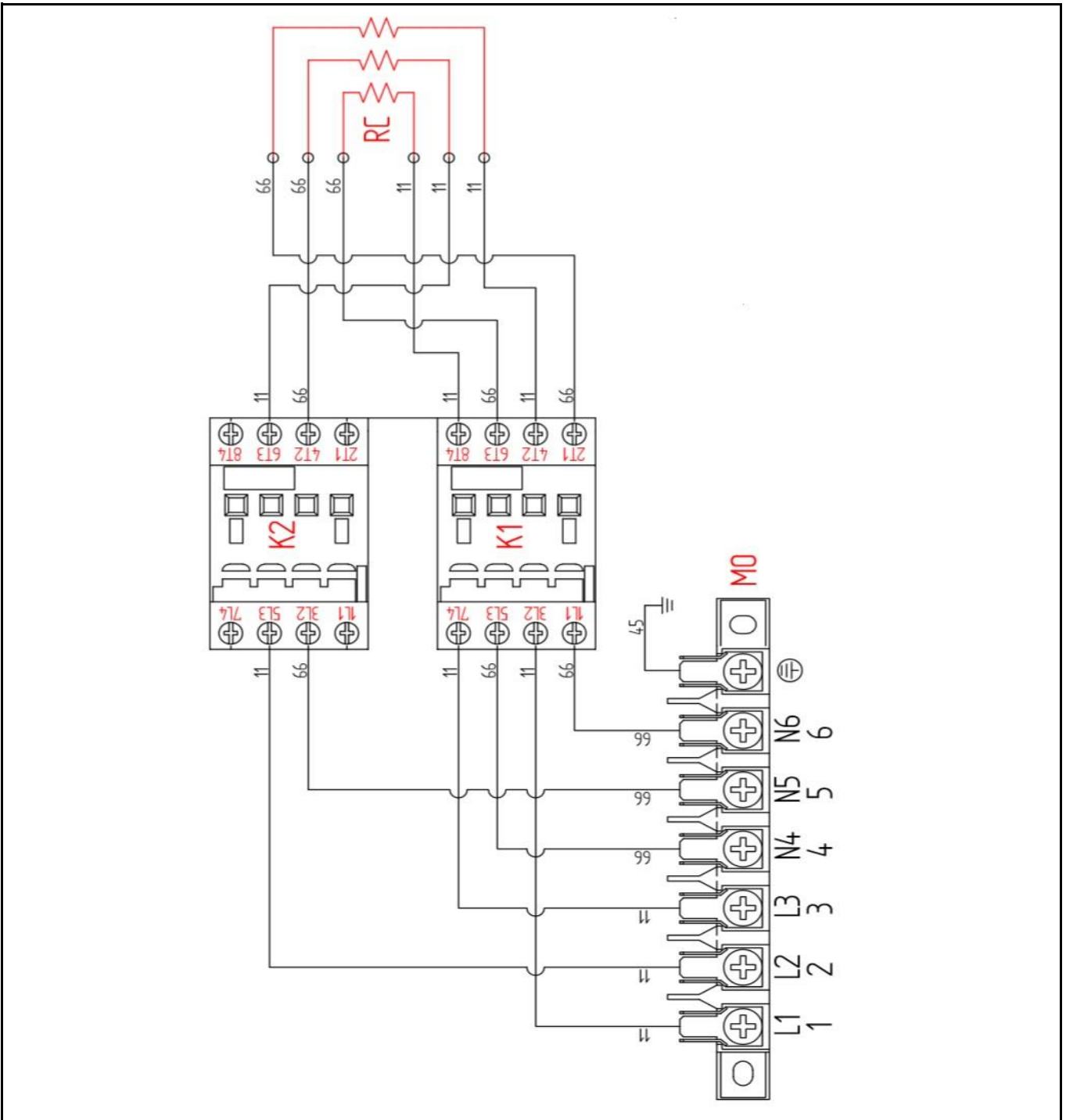
n/a -> not available

nss -> not sold separately


Wiring diagram

 HENDI Tools for Chefs Hendi B.V. Steenoven 21 3911 TX Rhenen The Netherlands	Batch #	Appliance part#
	190320 and up	223291
	Description	
	Convection steam oven digital NANO 5X GN2/3	

Date	07-01-2020	Revision #	1,0
Revision	First Bill of Materials (BOM)		



Wiring diagram

 <b style="font-size: 24px; margin-left: 10px;">HENDI Tools for Chefs Hendi B.V. Steenoven 21 3911 TX Rhenen The Netherlands	Batch #	Appliance part#
	190320 and up	223291
	Description	
	Convection steam oven digital NANO 5X GN2/3	

Date	07-01-2020	Revision #	1,0
Revision	First Bill of Materials (BOM)		

