

Drawing



Tools for Chefs

Hendi B.V.
Steenoven 21
3911 TX Rhenen
The Netherlands

Batch #

000000 and up

Appliance part#

810323

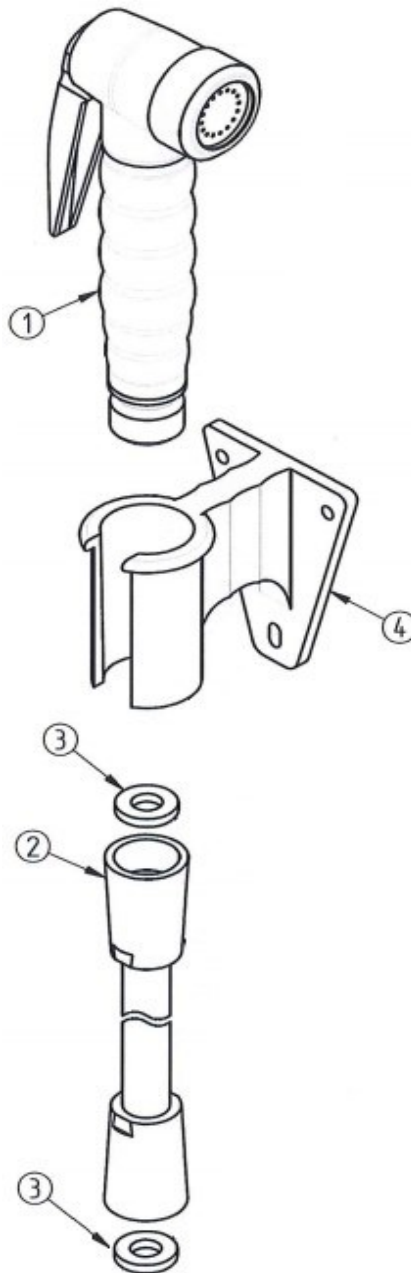
Description

Hose with rinse head for appliances


Date 29-01-2021

Revision # 1.0

Revision First Bill of Materials (BOM)



Bill of materials (BOM)

 <b style="font-size: 24px; margin-left: 10px;">HENDI <small style="color: green; margin-left: 10px;">Tools for Chefs</small> Hendi B.V. Steenoven 21 3911 TX Rhenen The Netherlands	Batch #	Appliance part#
	000000 and up	810323
	Description	
Hose with rinse head for appliances		

Date	29-01-2021	Revision #	1.0
Revision	First Bill of Materials (BOM)		

Item	Description	Part#	Quantity	Remark	Picture
1	Spray gun	959794	1		
2	Shower hose 1/2"- 1/2" 2000mm	959732	1		
3	Shower hose seal ring	n/a	2	Obtain locally	
4	Wall holder	n/a	1		

n/a -> not available

nss -> not sold separately